

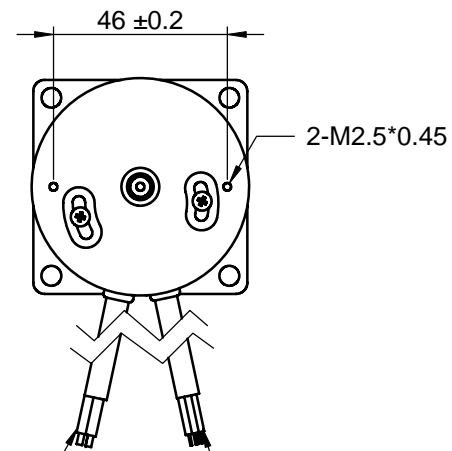
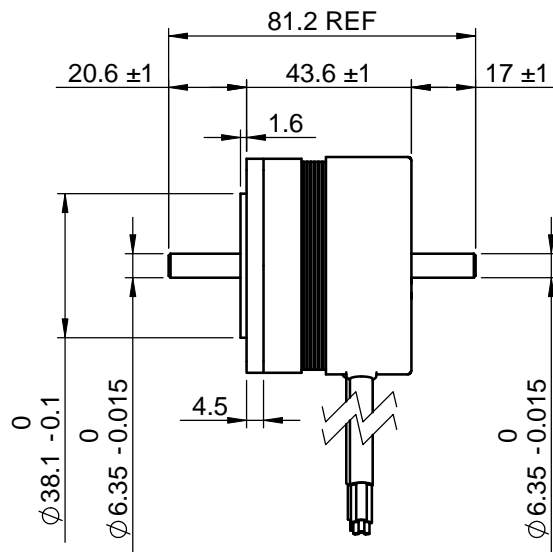
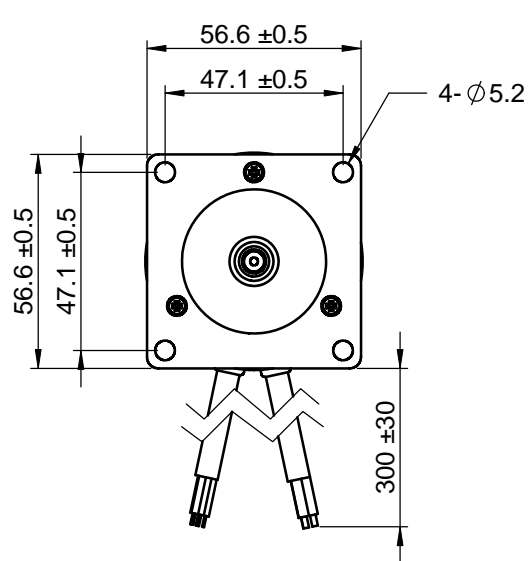
1 2 3 4 5 6

A

A

B

B



(此線徑為 UL1430 AWG20)

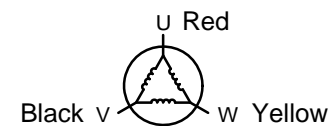
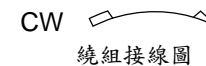
(此線徑為 UL1430 AWG26)

C

C

| Hall 接線表 | | |
|----------|-------|--------|
| Pin | Color | 功能(說明) |
| 1 | Blue | Hall U |
| 2 | Black | GND |
| 3 | Green | Hall V |
| 4 | Red | +5V |
| 5 | White | Hall W |

| Motor 接線表 | | |
|-----------|--------|---------|
| Pin | Color | 功能(說明) |
| 1 | Red | Motor U |
| 2 | Black | Motor V |
| 3 | Yellow | Motor W |



D

D

| MODEL | | NO LOAD | | AT MAXIMUM EFFICIENCY | | | | | THIRD ANGLE PROJECTION ALL DIMENSION ARE IN MM (UNLESS OTHERWISE SPECIFIED) | 製圖 設計 審核 材料 完成時間 | JOANNE | Cheshire Electric Company, LLC | | |
|---------|--------|---------|------|-----------------------|---------|--------|--------|-------|---|------------------------------|--------------------|--------------------------------|------|----------|
| NOMINAL | 36V DC | RPM | A | SPEED | CURRENT | TORQUE | OUTPUT | EFF | | | | Part No | Name | REV. NO. |
| | | 7500 | 0.27 | 5943 | 1.02 | 541.65 | 33.8 | 91.71 | 繪製比例: 1:2 | 2011/9/29 | DC Brushless motor | | | |

1 2 3 4 5 6